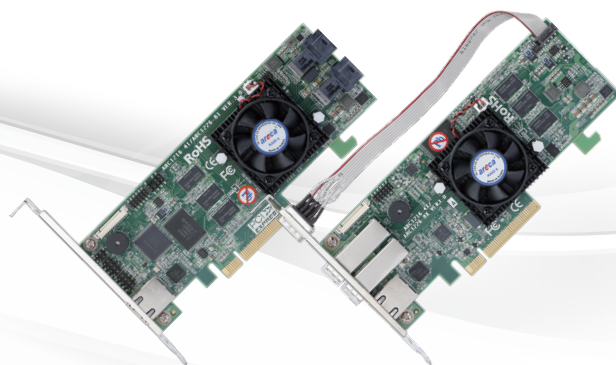


Areca ARC-12x6 series

4/8 Ports PCIe 3.0
Internal/External 12Gbps SAS RAID Adapters



Step 1: Unpack

Inspect ARC-12x6 RAID controller from the package. If it appears damaged, or if any items of the contents listed below are missing or damaged, please contact your dealer or distributor.

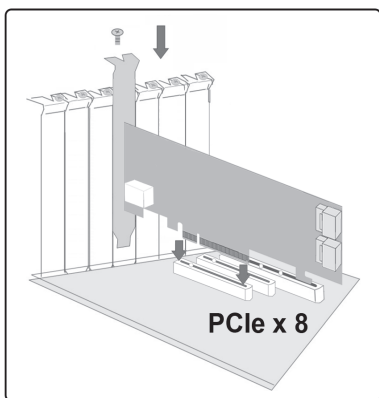
Checklist

- 1 x Low-profile bracket
- 1 x 12Gb/s SAS RAID controller in an ESD-protective bag
- 1 x ARC-12x6 series quick installation guide

Step 2: Power PC/Server Off

Step 3: Install the 12Gb/s SAS RAID Controllers

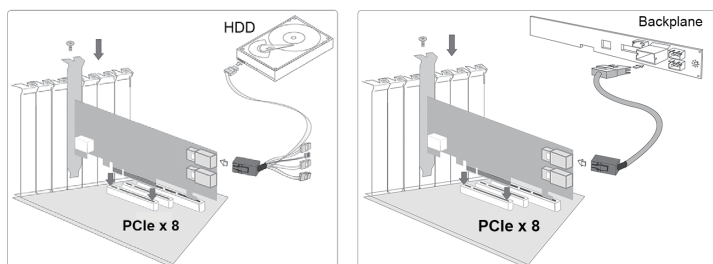
Remove the mounting screw and existing bracket from the rear panel behind the selected PCIe 3.0 slot. Align the gold-fingered edge on the card with the selected PCIe 3.0 slot. Press down gently but firmly to ensure that the card is properly seated in the slot. Then, screw the bracket into the computer chassis.



Step 4: Mount the Drives

You can connect the SAS/SATA drives to the controller through direct cable and backplane solutions. ARC-12x6 SAS RAID adapters can only support up to 8 directly attached disks (without expansion capability).

Step 5: Install SAS Cable



Step 6: Adding a FBM/BBM Backup Module (Optional)

Please refer to Appendix B and Appendix C of user manual.

Step 7: Connect Monitor Port - LAN Port (Optional)

User can remote manage the RAID enclosure without adding any user specific software (platform independent) via standard web browsers directly connected to the 10/100Mbit RJ45 LAN port.

Step 8: Power up the System

Step 9: Install the Controller Driver

For a new system:

- Driver installation usually takes place as part of operating system installation. Please refer to Chapter 4 "Driver Installation" of the user manual for the detailed installation procedure.

In an existing system:

- To install the controller driver into the existing operating system. For the detailed installation procedure, please refer to the Chapter 4 "Driver Installation" of the user manual.

Step 10: Install ArchHTTP Proxy Server

ArchHTTP has to be installed for GUI RAID console (MRAID storage manager) to run. It is used to launch the web browser McRAID storage manager. It also runs as a service or daemon in the background that allows capturing of events for mail and SNMP traps notification.

Follow the steps below to install the ArchHttp utility.

1. Download ArchHttp proxy server (or MAID software) from Areca website: <https://www.areca.com.tw/support/downloads.html>
2. Follow the steps on the user manual to complete the installation

If you need additional information about installation and start-up of this function, see the ArchHTTP Proxy Server Installation section in Chapter 5 of the user manual. For SNMP agent function, please refer to Appendix D of the user manual.

Step 11: Configure Volume Set

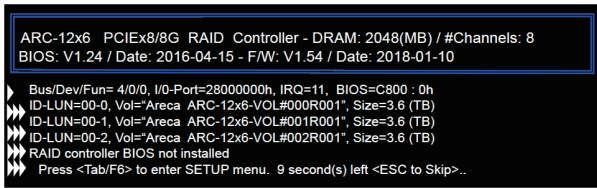
You can create and configure an RAID controller using any of these tools:

- McBIOS RAID Utility
 - BIOS-based menus and keyboard navigation.
- McRAID Storage Manager
 - web browser firmware-based utility, which is accessible via the web browser installed on your operating system. It can be launched through ArchHttp utility or onboard LAN port.

※ Method 1: McBIOS RAID manager

The McBIOS RAID manager is a menu-driven program, residing in the firmware, which allows you to scroll through various menus and sub-menus and select among the predetermined configuration options.

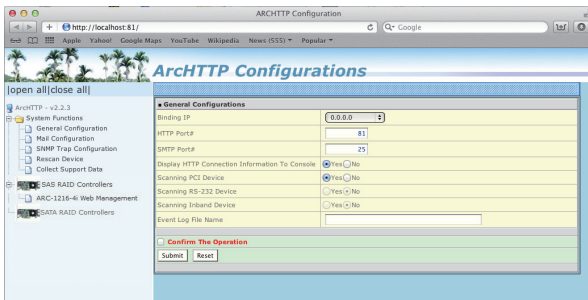
1. Power on your computer. When prompted, press Tab or F6 to enter the McBIOS RAID manager message.



2. If you have more than one controller in your system, the McBIOS RAID manager window appears showing a selection dialog box listing the SAS RAID controllers, select your controller, then press Enter.
3. Follow the McBIOS RAID manager to complete the configuration.

※ Method 2: McRAID Storage Manager From ArcHTTP

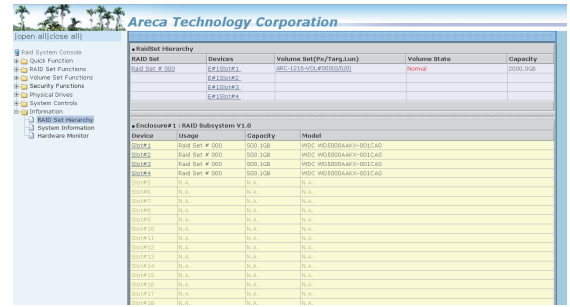
1. Start ArcHTTP- Browser Edition:
 - (1) In Windows, right-click on "Start" menu and choose "Programs". Clicking "MRAID" program icon starts the ArcHTTP utility (From the Start menu, choose Programs > MRAID > ArcHTTP).
 - (2) On a Mac, there is one MARID icon showing on your desktop. This icon is for you to start up the ArcHTTP utility.
2. When you double-click on the "ArcHTTP64", it shows all RAID storages available on the system and create an individual RAID storage icon located on left column of the "ArcHTTP Configurations" screen.



3. Locate "ARC-1216 Web Management" and launch the selected McRAID storage manager.



Enter RAID storage default User Name "admin" and the Password "0000" when the login page prompted for it. After logging in, the McRAID storage manager process starts.



Click on the "Quick Create" in the main menu, your volume is auto-matically configured based on the number of disks in your system. You can create a RAID set associated with exactly one volume set.

The user can change the Raid Level, Capacity, Initialization Mode, and Stripe Size. A hot spare option is also created, depending on the exist configuration. Tick on the "Confirm The Operation" check box and click on the "Submit" button, the RAID set and volume set will start to initialize. If you prefer to customize your volume set, please use the "Raid Set Functions" and "Volume Set Functions".

See chapter 6 of ARC-12x6 user manual for information on customizing your RAID volumes using McRAID storage manager. Otherwise, to begin using the ARC-12x6 right away.

※ Method 3: McRAID Manager From LAN Port (Optional)

User can remote manage the ARC-12x6 series without adding any user specific software (platform independent) via standard web browsers directly connected to the Gigabit Ethernet RJ45 LAN port. You can find controller Ethernet port default IP address in McBIOS RAID manager "System Information" option. Launch the Web Browser-based McRAID storage manager by entering `http://[IP Address]` in the web browser.

Type the User Name and Password. **The RAID controller default User Name is "admin" and the Password is "0000".** After entering the user name and password, click the button to access the McRAID storage manager.

See the chapter 6 of Web Browser-based Configuration on the user manual detailing the McRAID storage manager to customize your RAID configuration.

If you need more detail information, please download ARC-12x6 user manual from the website below:

- https://www.areca.com.tw/products/sasadapters_12x6.html
- <https://www.areca.com.tw/support/downloads.html>

Product Features

ARC-1216-4i/1226-8i

ARC-1216-4x/1226-8x

Form Factor	Low Profile: 64.4(H) x 169.5(L) mm	
I/O Processor	Dual Core RAID-on-Chip 1.2GHz	
On-Board Cache	1GB on-board DDR3-1600 SDRAM with ECC	
Drive Support	4 or 8 12Gb/s SAS, SATA or SSD drives	
Driver Connector	1 x SFF-8643 / 2 x SFF-8643	1 x SFF-8644 / 2 x SFF-8644
Enclosure Ready	Individual Activity/Faulty Header, Serial Bus and SGPIO	External Serial Bus
Management	In-Band: PCIe / Out-of-Band: BIOS, LCD (Optional) and LAN Port	



TEL:886-2-87974060 FAX: 886-2-87975970
 Technical Support: support@areca.com.tw
 Sales Information: sales@areca.com.tw